

S Series Moulded Case Circuit Breaker

Alarm contact



Alarm contact
Auxiliary Contact

The position of the breaker in "off" or "on"	B14 ———— B12 ————	
The position of the breaker in "free release" (alarm)	B11 and B12 switch from "close" to "open", status of B11 and B14 switch from "open" to "close"	

Auxiliary contact and Alarm contact: Auxiliary contact is as some as Alarm contact, the technical parameter (see table 3)

Table 3

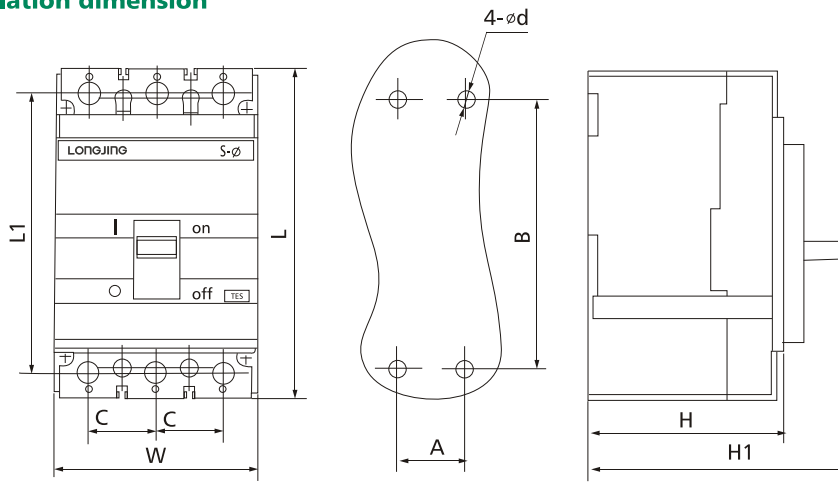
Rated heating current I _{th} (A)	Rated operating current I _e (A)		Suited Frame I _{nm} (A)
	AC 380V	DC 220V	
3	0.3	0.15	125,160
3	0.4	0.15	250,400
3	0.4	0.15	630,800,1250,1600

Installation: Circuit breaker may be mounted vertically, horizontally or flat on their back without any derating of characteristics

Fix: Mounting on backplate.

Connection: Front panel connection, black panel connection, plug-in connection

Outline and installation dimension



Type	Outline Dimensions						Installation Dimensions		
	W	L	H	H1	L1	C	A	B	d
S-125	78	120	71	91	102	25	25	100	4.5
S-160	90	120	71	93	102	30	30	100	4.5
S-250	105	170	103.5	135	139	35	35	139	5.5
S-400	140	254	101.5	135	218	43.75	43.75	214	5.5
S-630/800	210	268	103.5	159	241	70	70	237	5.5
S-1250/1600	210	406	138.5	204.5	326	70	70	378	5.5